



## ASELight 35 MOBILE STAND FLEX

LED EXAMINATION LIGHT

**U**nique coverage of varied and highest lighting requirements, now available as Mobile Stand Flex for more flexibility

**asetronics**   
Advanced Swiss Electronics



## Application

- » General medical examinations and treatment in medical practices
- » Dermatological examinations
- » Wound care and minor surgical procedures

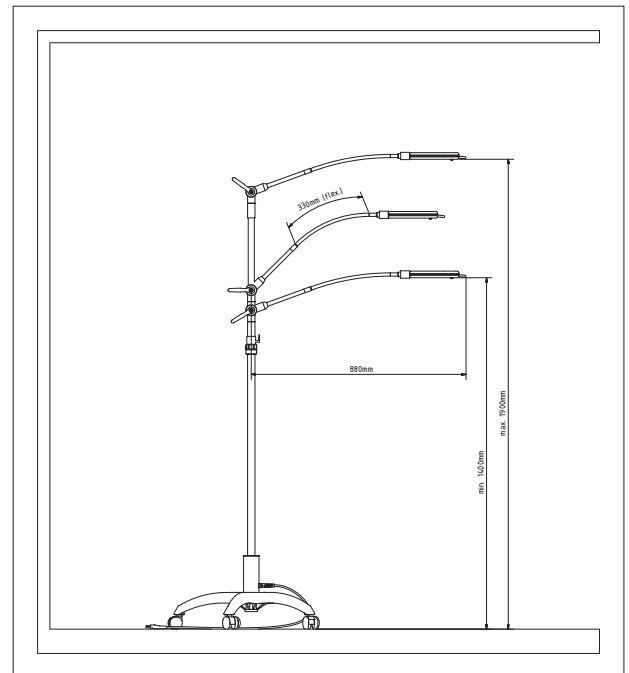
## Advantages of the new examination light in LED technology

- » Light intensity: 35,000 lux @ 70cm distance
- » Colour temperature: 5,000 K (daylight quality)
- » Light field diameter: 18cm
- » Thanks to gooseneck, rotation adapter and telescopic rode the light head can be positioned optimally.
- » Touchless On/Off function with a sensor for hygienic reasons.
- » No infrared radiation
- » High reliability and no maintenance costs
- » LED service life of over 70,000 hours
- » Extremely low energy consumption (typ. <16 W) and extremely low energy costs (30 % in comparison to halogen)
- » Environmentally friendly (recyclable, does not contain any heavy metals)
- » High shock and vibration resistance
- » No risk of implosion (compared to halogen)
- » Safe because of the low voltage
- » Simple and quick to clean and disinfect thanks to high-quality materials and a smooth, sealed surface
- » Up-to-date design and technology
- » 5 years warranty on the light head

Swiss made



## ASELight35 - Mobile Stand Flex



**asetronics** 

Advanced Swiss Electronics

Freiburgstrasse 251  
3018 Bern  
Switzerland

Internet: [www.aselight.ch](http://www.aselight.ch)  
[www.asetronics.ch](http://www.asetronics.ch)  
Telephone: +41 (0)31 329 32 19  
Telefax: +41 (0)31 329 31 22  
E-mail: [info@asetronics.ch](mailto:info@asetronics.ch)

CE



(Version 08/2017)