



ASELight 120

LED SURGICAL LIGHT

Unique coverage of varied and highest lighting requirements now available in one single compact casing.

asetronics 
Advanced Swiss Electronics

Advantages of the new examination light in LED technology

- » Light intensity: 120,000 lux @ 100 cm distance
- » Colour temperature: adjustable from the control panel in steps 4,000 K / 4,500 K / 5,000 K
- » Colour rendering index (CRI): 97
- » Light field diameter: 18 cm / 24 cm
- » Dimmable via the control panel or using the integrated, contact-free sensor
- » Detachable sterilizable handgrip
- » Endolight mode
- » No infrared radiation
- » The curved airflow and temperature optimized shape of the aluminium diecast housing guarantee a free air flow
- » High reliability and no maintenance costs
- » LED service life of over 70,000 hours
- » Extremely low energy consumption (typ. < 50 W) and extremely low energy costs (30% in comparison to halogen)
- » Environmentally friendly (recyclable, does not contain any heavy metals)
- » High shock and vibration resistance
- » No risk of implosion (compared to halogen)
- » Safe because of the low voltage
- » Simple and quick to clean and disinfect thanks to high-quality materials and a smooth, sealed surface
- » 5 Years warranty on the light head

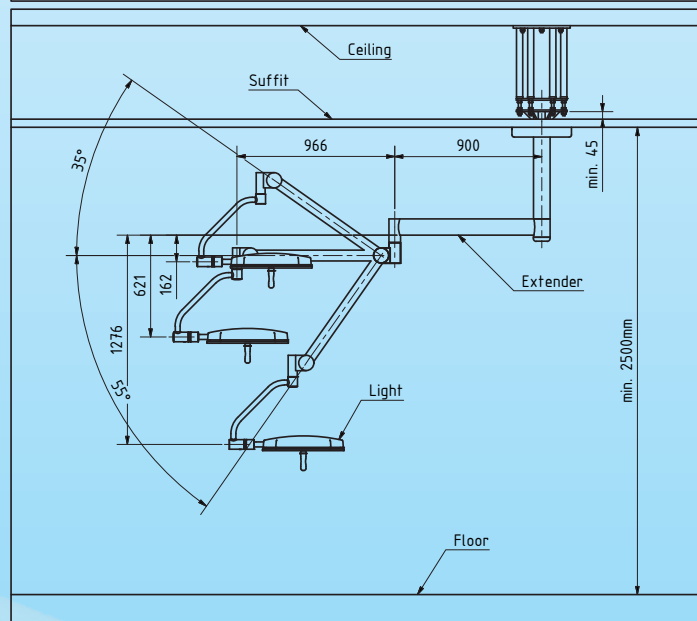
Swiss made



Technical Specifications Light

| | |
|---|--------------------------|
| Intensity of illumination E_c @ 100 cm | 120,000 lux |
| Light field diameter | 180 mm / 240 mm |
| Colour temperature | 4000 K / 4500 K / 5000 K |
| Colour rendering index Ra | 97 |
| R9 | 96 |
| Illumination depth L1 + L2 (@60% E_c) | 340 mm + 210 mm |
| Power supply | 24 VDC \pm 2 V |
| Power consumption | Max. 55 W (typ. < 50 W) |
| Minimum service life (LED) | 70,000 h |
| Ambient operating temperature | 0° C bis 40° C |
| Storage and transport temperature | 0° C bis 60° C |
| Relative humidity in operation | 30% – 75% |
| Relative humidity for storage and transport | 10% – 75% |
| Air pressure | 500 hPa - 1060 hPa |
| IP protection class | IP54 |
| Weight with cardan arm | 16 kg |
| Dimensions (light only) | 500 mm x 500 mm x 80 mm |

Single System



asetronics 

Advanced Swiss Electronics

Freiburgstrasse 251

3018 Bern

Switzerland

Internet: www.aseilight.ch

www.asetronics.ch

Telephone: +41 (0)31 329 32 19

Telefax: +41 (0)31 329 31 22

E-mail: info@asetronics.ch

CE



(Version 08/2017)